

Submersible Sludge Pump Type ABS JS 12

Specification

Electric submersible pump.
 Maximum submergence: 20 m. • Protection class IP 68.
 Max temperature of pumped medium at max power input and continuous duty 40°C.
 Max medium density 1100 kg/m³. • pH of the pumped medium 5-8.
 Strainer with free passage 45x40 mm. • Max no. of starts 30/hour.
 Max impeller diameter requires half motor or more submersed for continuous duty. (Pump can operate lying down.)

- JS 12 W/WKS* -104** single-phase.**
- JS 12 W/WKS* -114 single-phase.**
- JS 12 D/DKS* -104** 3-phase.**
- JS 12 D/DKS* -114 3-phase.**

*option: built in float switch excl. 500 V
 ** Impeller diameter for duty with low water level or intermittent dry running.

Electric Motor

Single-phase motor with built-in capacitor, 50Hz.
 Service factor 1.1. Class F insulation.
 Motor rating P₂: 0.9 kW. Speed: 2850 rpm

Voltage, V	230
Nominal current, A	5.1

3-phase squirrel-cage induction motor, 50 Hz.
 Service factor 1.1. Class F insulation.
 Motor rating P₂: 0.9 kW. Speed: 2850 rpm
 D.O.L. start with built-in contactor.

Voltage, V	230	400	500
Nominal current, A	3.3	1.9	1.5

Power Cable

20 m type S1BN8-F:
 4 x 1.5 sq.mm. (3-phase)
 3 x 1.5 sq.mm. (single-phase)

Motor Protection

Built-in thermal switches in the stator windings (140°C, ±5).

Shaft Seal

Double mechanical seal in oil bath.
 Primary seal: Silicon carbide on silicon carbide.
 Secondary seal: Silicon carbide on silicon carbide.

Bearings

Upper bearing: Single-row deep groove ball bearing.
 Lower bearing: Single-row deep groove ball bearing.

Discharge Connections

2" (standard), 2 1/2", 3" hose connections.
 2", 2 1/2", 3" B.S.P. threaded connections.

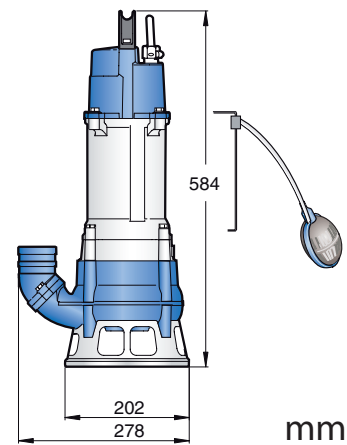
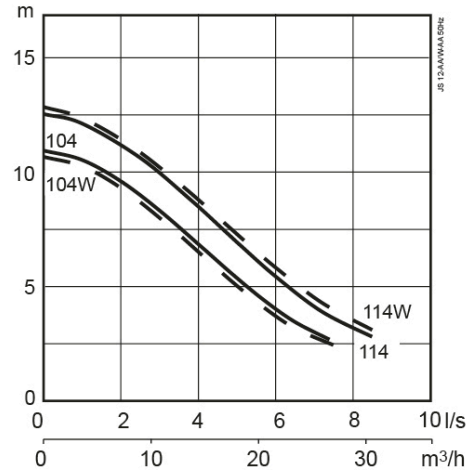
Weight (without cable)

18kg

Options and Accessories

Zinc anodes • Surface protection coating
 Starter and control units • Floatation ring • Repair kit
 Discharge connection accessories and hose

EN 50 Hz



Materials		EN	ASTM
Motor housing	Aluminium	EN 1706: AC-43100	ASTM AlSi10mg
Fasteners	Stainless steel	10088:X5CrNi18-10 (1.4301)	AISI 304
Rotor shaft	Stainless steel	10088:X20Cr13 (1.4021)	AISI 420
Volute and impeller	Nodular cast iron	1563:ENGJS-HB150	ASTM A536-80:60-40-18
O-rings	Nitrile rubber		

