

# ABS Nopon submersible aerator mixer OKI 2000

The ABS Nopon submersible aerator mixer OKI 2000 is a heavy duty machine suitable for applications in continuous and/or intermittent aeration of both municipal and industrial wastewater. It can withstand many harsh types of wastewater with no performance degradation and will tackle intermittent process problems better than most alternatives.

In the OKI compressed air is distributed through a flexible hose down to the machine. Air enters through the stator and is passed on to the rotating rotor. The hollow rotor wings let air out at the tips. As the rotor sucks water from underneath the machine bubbles of air disperse into the water passing the wing tips. The aerated water exits the machine through the stator tubes ensuring even water and air distribution all around the basin. The low speed rotation ensures that flocks are maintained. The turbulence at the tip of the rotor blades enables high oxygen transfer.

## Features

- Adjustable oxygen transfer
- Superb pumping capacity
- Good clogging performance
- Good corrosion resistance
- Steady alpha factor
- Lifetime sustainable high aeration efficiency
- Especially suited for heavy duty and intermittent processes
- Easy and quick installation without emptying the tank
- Lifiable for easy maintenance
- No air cooling in deep tanks
- Usually delivered complete including suitable airhose, lifting cable and electrical cables making installation safe and easy

The ABS Nopon submersible aerator mixer OKI 2000 series is a natural choice for industrial and municipal applications. The high quality gear motor guarantees performance and long lasting operational life minimizing the maintenance costs.

## Product range

All 4 OKI 2000 models have the same size rotors, stators and frames. Motor power and gear ratio varies. All models are for both aerating and mixing.

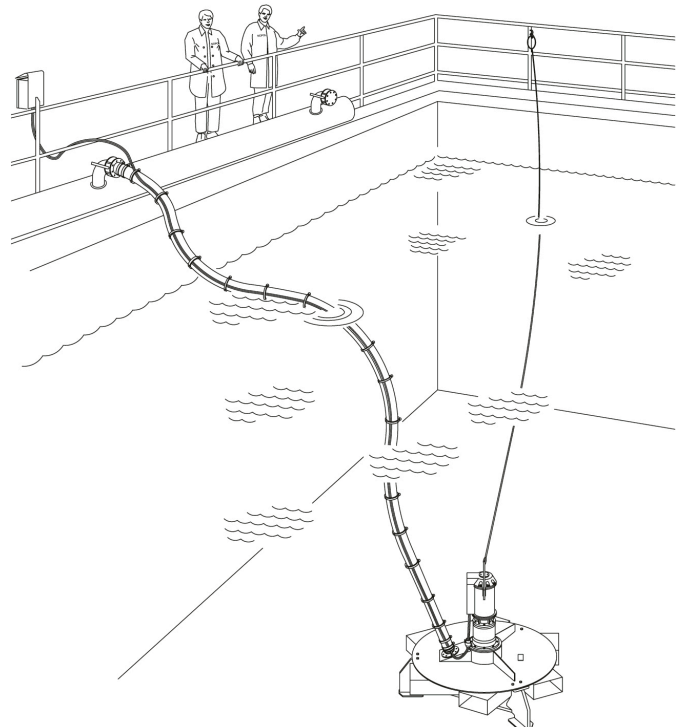
Model		AM
2000	C	15
	C	22
2000	E	30
	E	37

Example: **OKI 2000E-37AM**

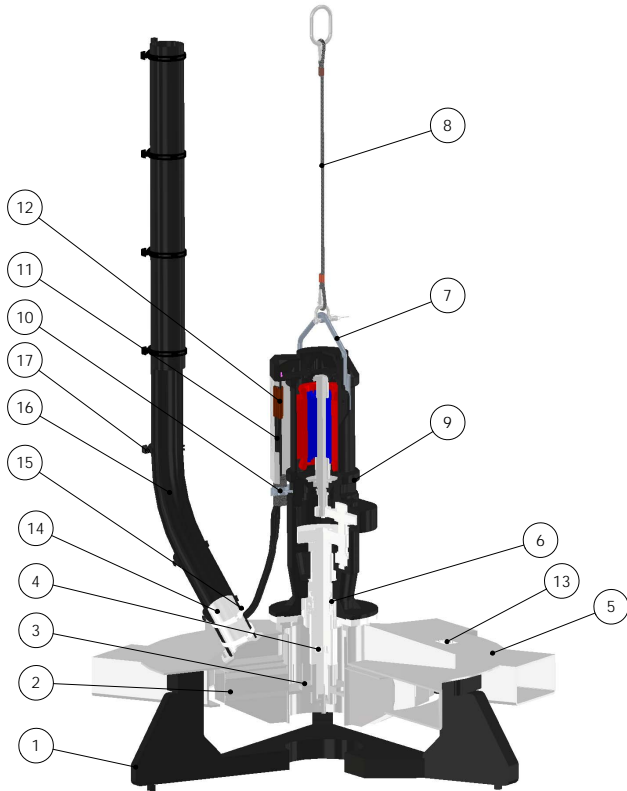
- 2** design of the stator & rotor  
(**1** for OKI 1000 series and **2** for OKI 2000 series)
- E** design of gear
- 37** rated power of the motor is 37 kW
- AM** aerator + mixer (mixing without air at high speed)



## Installation example



## Components and materials



Description	(Main)Material
1 Frame	Fe37B, epoxy painted
2 Rotor	AISI 316
3 Rotor support	AISI 316
4 Rotor screw	AISI 316
5 Stator and stator ducts	AISI 316
6 Heavy duty shaft seal	AISI 316
7 Lifting bail	AISI 316
8 Lifting cable	AISI 316
9 Drive unit (geared motor)	Cast iron, epoxy painted
10 Cable support	AISI 316
11 Cables	Neoprene rubber sheath
12 Airlock	Resin
13 Nameplate	AISI 316
14 Hose flange (with seal)	AISI 316
15 Hose clamps	AISI 316
16 Process air hose	EPDM (reinforced)
17 Hose straps	EPDM

## Technical specification

	OKI 2000C-15 AM	OKI 2000C-22 AM	OKI 2000E-30 AM	OKI 2000E-37 AM
Protection type	IP68	IP68	IP68	IP68
Standard voltage <sup>1)</sup>	400 V / 50 Hz	400 V / 50 Hz	400 V / 50 Hz	400 V / 50 Hz
Temperature control	Thermal switch 130°C	Thermal switch 130°C	Thermal switch 130°C	Thermal switch 130°C
Main dimension [mm] [ length x depth x height] <sup>2)</sup>	2045x2252x2075	2045x2252x2075	2045x2252x2195	2045x2252x2195
Unit weight [kg] <sup>3)4)</sup>	1930	1960	2070	2070
Installation depth [m]	4-12	4-12	4-12	4-12
SOTR [kg O <sub>2</sub> / h] <sup>3)</sup>	170	220	238	270
Air flow rate [m <sup>3</sup> / min, 20°C] <sup>5)</sup>	0-36	0-47,2	0-53	0-60

<sup>1)</sup> Other options for 50 Hz: 230 V, 380 V, 415 V, 500 V, 660 V and 690 V. Also available for 60 Hz: 230 V, 440 V, 460 V and 575 V.

<sup>2)</sup> Depends on the model

<sup>3)</sup> At 8 meters

<sup>4)</sup> Without accessories

<sup>5)</sup> Depends on installation depth