

Lifting Station Type ABS Sanimat 1000

Flood-proof, single lifting station, for the removal of wastewater and sewage from areas below the sewer level in accordance with EN 12050-1. Ideal for effective dewatering of houses with one or two living units and for new buildings or renovations.



Features

- Plug-in unit with earthed plug (230 V) or CEE plug (400 V) and phase sequence changeover facility.
- Easily transported and fitted. Compact dimensions allow passage through a standard door opening.
- Dynamic pressure level sensor on the tank, with separate sensors for inflow level and high water alarm.
- Trouble-free maintenance thanks to simple removal of the motor housing.
- Four horizontal inlet ports (2 x DN 100, 2 x DN 70) and two vertical (1 x DN 100, 1 x DN 150). Vertical vent line DN 70. DN 40 port is suitable for the connection of a hand membrane pump.
- DN 100 horizontal inlet ports are at different levels (180 and 220 mm) allowing for flexible installation connection.
- Direct toilet connection possible in the case of wall-mounted WC units.
- Discharge flange DN 80, plus flanged socket with 4" sleeve and clips (for discharge pipe DN80/100).
- Integrated valve system consisting of ball-type, non-return valve.
- Very quiet running thanks to 4-pole, slow-running motor.
- Vortex impeller with large free passage and rear blade mounting, for reliable pumping of both faecal and faecal-free sewage.
- Sloping container floor prevents deposits.
- Built-in mains alarm (visual and acoustic), can be converted to mains-independent by inserting battery.
- Maximum allowable temperature of the medium is 40 °C; or up to 60 °C intermittent (max. 5 minutes).



Materials

Description	Material
Tank	Polyethylene
Motor Housing	Cast iron EN-GJL-250
Rotor Shaft	Stainless steel 1.4021 (AISI 420)
Volute	Polyethylene
Impeller	Cast iron EN-GJL-250

Tank

Corrosion resistant, gas- and odour-tight in accordance with EN 12050-1. Supplied as standard with pump, automatic level control and control box, non-return valve, 4" sleeve and flange. Capacity: 70 litres

Motor

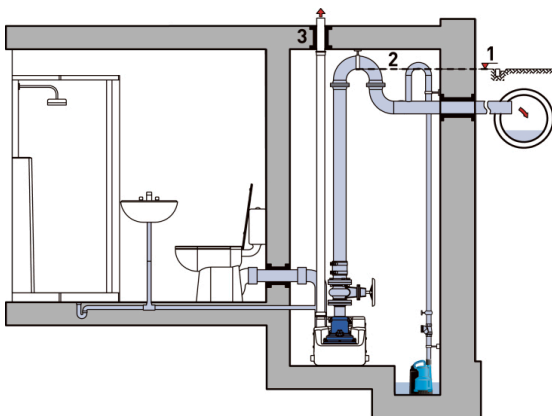
Water pressure sealed, squirrel cage 4-pole induction motor, with triple shaft seals and oil chamber. Electronic monitoring of stator temperature and overcurrent.

Insulation: Class F for 155 °C

Protection type: IP 68

Installation

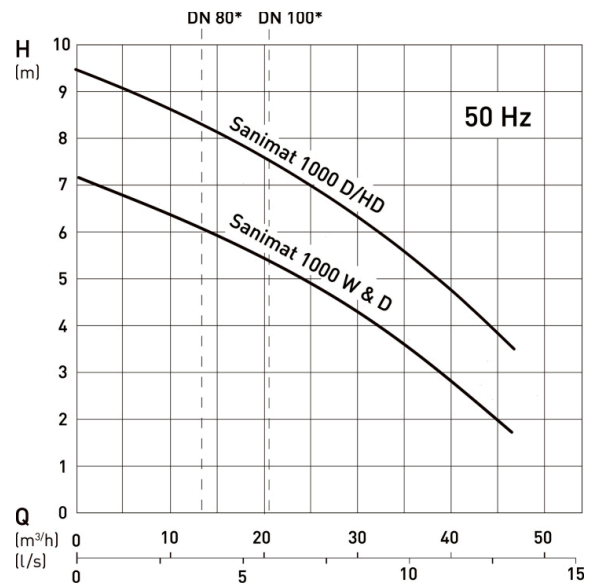
Attention to the backwash level is of vital importance for effective dewatering. All outflow points located below the backwash level must be protected against back flow according to standard EN 12056.



1. Backwash level
2. Backwash loop with base above the backwash level.
3. External ventilation pipe.

Rooms for sewage lifting stations must be large enough that a working area of at least 60 cm width or height is available around all parts which have to be operated or maintained. A pump sump should be provided for dewatering of the room itself.

Performance Curves



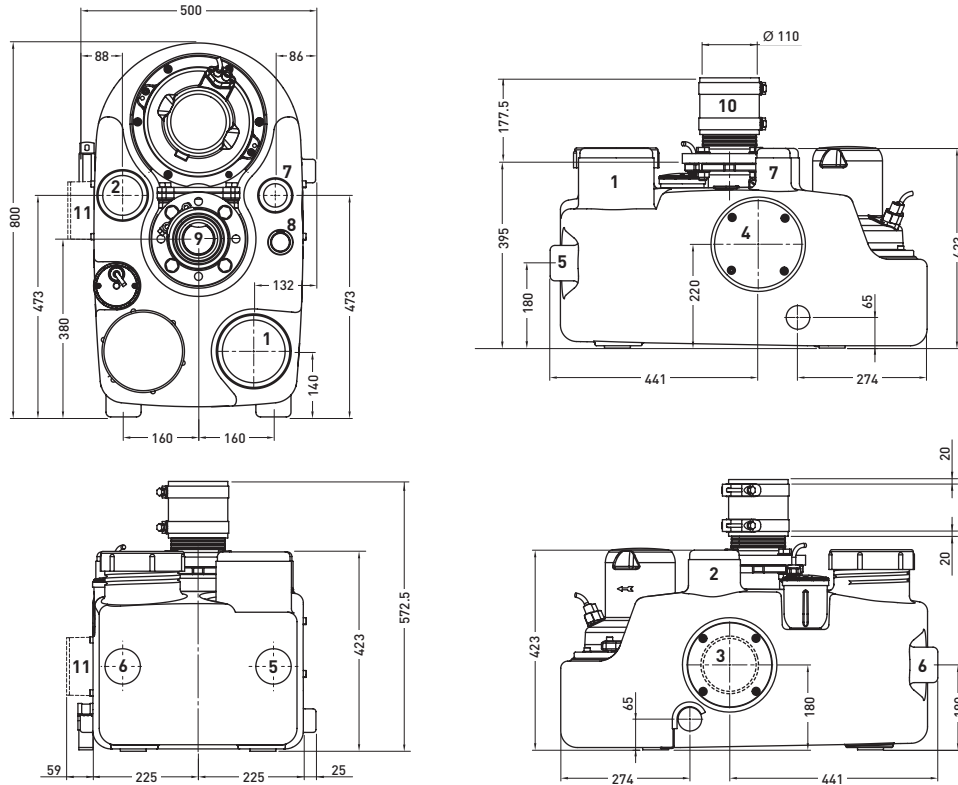
* Minimum flow rate Q for discharge pipe.
H = Total Head; Q = Discharge Volume; Curves to ISO 9906

Technical Data

Sanimat	1000 W	1000 D	1000 D/HD
Discharge connection	Sleeve 4" DN 100	Sleeve 4" DN 100	Sleeve 4" DN 100
Motor power (kW)*	P ₁ = 1.80 P ₂ = 1.30	P ₁ = 1.77 P ₂ = 1.40	P ₁ = 2.88 P ₂ = 2.20
Speed (r/min)	1450	1450	1450
Rated voltage (V)	220-240 1~	400 3~	400 3~
Rated current (A)	8.4	3.5	5.2
Cable length (m)**	4 + 1.5	4 + 1.5	4 + 1.5
Weight (kg)***	55	55	57

* P₁ = Power taken from mains; P₂ = Power at motor shaft; ** Tank to control unit 4 m, control unit mains 1.5 m; *** Additional weight with hand membrane pump = 13 kg

Tank Dimensions (mm)

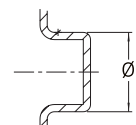


Connections

1. Inflow DN 150
2. Inflow DN 100
3. Inflow DN 100 (with adaptor fitted)
4. Inflow DN 100 (with blanking plate fitted)
5. Inflow DN 70
6. Inflow DN 70
7. Vent/Inflow DN 70
8. Inflow/Hand membrane pump DN 40
9. Discharge flange DN 80
10. Flexible connector
11. DN 100 inflow adaptor

Inlet Diameters

Ø	[mm]
DN 70	+0.2 ø75 -1.0
DN 100	+0.3 ø110 -1.0
DN 150	+0.4 ø160 -1.5



Accessories

	Description	Size	Part no.
Discharge side	Hand Membrane Pump with built-in, non-return valve for separate wall fixing.	G 1½"	14990028
	Shut-off Valve (EN-GJL-250) including 1 set of bolts and seal PN 10.	DN 80	61420500
	Flanged Spigot Kit including clamps and flexible connector (1 x DN 80/4" supplied as standard)	DN 80/4" DN 80/3"	62540032 61185025
Inflow side	Inflow Adaptor 1 x supplied as standard	DN 100	41405002
	Flanged Sleeve E-KS transition piece DIN-flange/push-on sleeve including 1 x set of bolts and 1 x flat gasket for vertical inflow.	DN 100	62540025
	Flanged Spigot (EN-GJL-250) for horizontal inflow in conjunction with shut-off valve.	4" / DN 100	41400594
	Shut-off Valve (EN-GJL-250) including 1 x set of bolts and 1 x flat gasket - flange PN 16	DN 100	61420501
Electrical	NC-AKKU 9 V rechargeable battery for mains-independent alarm.		12820018
	Extension Cable Kit	15 m	62665302