

# Lifting Station Type ABS Synconta 700L

Synthetic prefabricated sump, designed as a single pumping station for the effective dewatering of buildings and areas below the sewer level. Designed as a complete wastewater sump for external (below-ground) installation and for fitting with selected pumps from the Piranha range. Synconta 700L is suitable also for the pumping of sewage containing faecal matter.

## Features

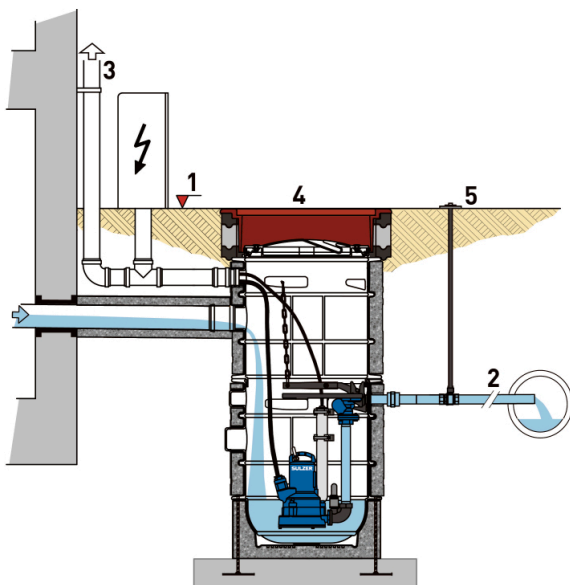
- Robust construction with lockable hollow lid which can be foam-filled for added insulation.
- For protection against overhead traffic a special cast iron sump cover is required (in accordance with EN 124; Group 1 permissible traffic tonnage 5 kN/m<sup>2</sup>).
- Stainless steel discharge pipe with 1¼" external thread.
- Single DN 100 inflow port for DIN push-on connection. One port DN 70 for venting and use as a cable duct (supplied as standard with plug/cable inlet seal).
- Available with optional polystyrene jacket to insulate against noise and excessive external temperatures.
- Simple pump installation and maintenance. The pump seals automatically onto the discharge line when lowered into the high level coupling.
- Automatic pump and level control by pressure sensor system.
- Maximum allowable temperature of medium 40 °C, short term to 60 °C (max. 5 minutes).

## Materials

Synconta 700L	Material
Tank and Lid	Polyethylene
Insulation Jacket	Extruded polystyrene
Discharge Pipe	Stainless steel 1.4301 (AISI 304)
Coupling and Valve	Cast iron EN-GJL-250
Piranha Pump	
Motor Housing	Cast iron EN-GJL-250
Rotor Shaft	Stainless steel 1.4021 (AISI 420)
Volute	Cast iron EN-GJL-250
Impeller	Cast iron EN-GJL-250
Fasteners	Stainless steel 1.4401 (AISI 316)

## Installation

Attention to the backwash level is of vital importance for effective dewatering. All outflow points located below the backwash level must be protected against back flow according to standard EN 12056.



1. Backwash level
2. Discharge pipe must rise above backwash level before entering sewer line
3. Ventilation pipe
4. Sump cover
5. Gate valve (min. depth 450 mm; max. 2900 mm)



## Tank

Synthetic, corrosion-resistant tank supplied as standard with plastic lid, discharge pipework and coupling with non-return ball valve.

Pump, pressure sensor, control panel, sump cover and insulation jacket are not included.

Capacity: 350 litres

Weight: 46 kg (includes installation pipework but not weight of pump)

## Motor

Three phase, water pressure sealed, squirrel cage 2-pole induction motor with double shaft seals and oil chamber.

Insulation: Class F for 155 °C

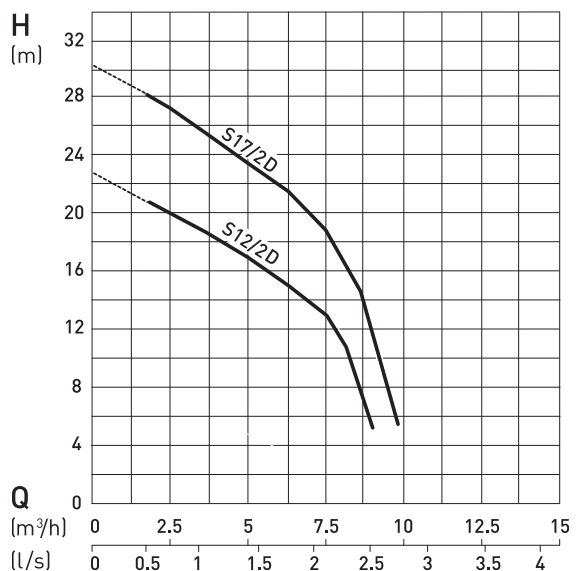
Protection type: IP 68

## Pump Type

Submersible grinder pump type ABS Piranha with shredding system

hydraulics which can cut and pump wastewater containing solids through small diameter discharge lines from 1¼".

## Performance Curves



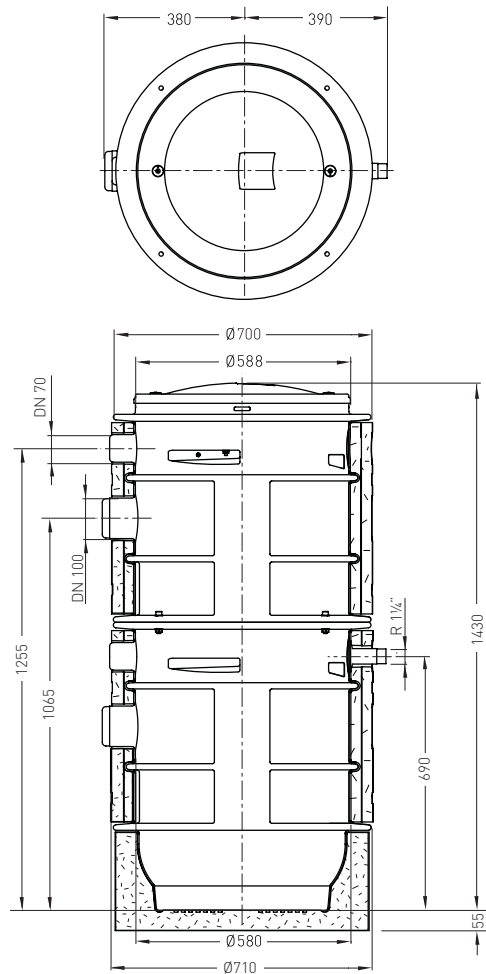
H = Total Head; Q = Discharge Volume. Curves to ISO 9906

## Technical Data

Piranha	Discharge		Motor power *		Rated current (A)	Rated ** voltage (V)	Speed (r/min)	Cable *** (H07RN8-F)	Pump weight (kg)
	Pump (flange)	Pipe (thread)	P <sub>1</sub>	P <sub>2</sub>					
S12/2D	DN 32	R 1¼"	1.69	1.20	5.72	230 3~	2900	4G 1.5	32
S12/2D	DN 32	R 1¼"	1.69	1.20	3.29	400 3~	2900	4G 1.5	32
S17/2D	DN 32	R 1¼"	2.31	1.70	6.90	230 3~	2900	4G 1.5	32
S17/2D	DN 32	R 1¼"	2.31	1.70	3.97	400 3~	2900	4G 1.5	32

\* P<sub>1</sub> = Power at mains; P<sub>2</sub> = Power at motor shaft. \*\* 230 V can operate as single phase using the appropriate control panel (see accessory table). \*\*\* Special rubber compound, free-end cable.

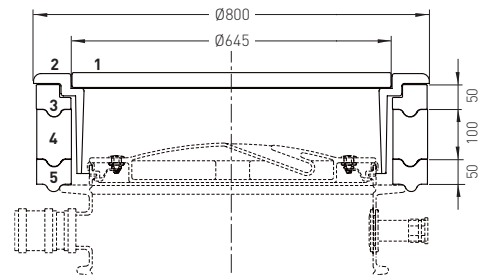
## Dimensions (mm)



## Inlet diameters

Ø	(mm)
DN 70	+0.2 ø75 -1.0
DN 100	+0.3 ø110 -1.0

## Sump Cover



1. Cast iron lid
2. Cast iron frame
3. Synthetic frame-support ring
4. Concrete spacer ring
5. Synthetic support ring (sits on tank rib)

## Accessories

Description	Part no.
Insulation Jacket	62665344
Pressure Sensor (MD 126)	27007024
Pressure Pipe Kit	62665180
Vacuum Breaker	62665297
Sump Cover	On request
Control Panel - CP114: 230 V single phase, 7.5 A	62160870
CP112: 230 V three phase	15207147
CP112: 400 V	15207145

**SULZER**