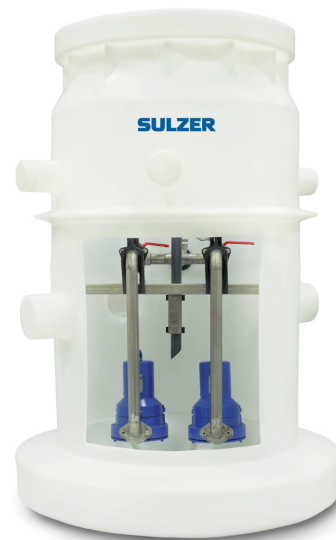


# Lifting Station Type ABS Synconta 901 - 902L

Synthetic prefabricated sump, designed as a single or double pumping station for the automatic pumping of wastewater and sewage from locations and areas below the backwash level in accordance with EN 12050-1. Designed as a complete wastewater sump for below-ground installation and for fitting with pumps from the Piranha and AS ranges.



## Features

- Installed with a concrete lid, outside the building in open ground. Synconta is suitable for installations according to EN 124; Group 1 permissible traffic tonnage 5 kN/m<sup>2</sup>. Maximum permissible outside pressure 0.4 bar.
- Stainless steel discharge pipe with 2" external thread.
- Synconta 901: one pump, 902: two pumps. Standard depth version - 1700 mm.
- Synconta 901L: one pump, 902L: two pumps. Maximum depth version - 2190 mm.
- Eight inflow ports (4 x DN 100, 4 x DN 150) for DIN push-on connection. One DN 100 port reserved for venting and use as a cable duct.
- Simple pump installation and maintenance, it is not necessary to enter the sump. The pump seals automatically onto the discharge line when lowered into the high level coupling.
- Pneumatic level control system.
- Maximum allowable temperature of medium 40 °C, short term to 60 °C (max. 5 minutes).

## Materials

Description	Material
Tank	Polyethylene
<b>AS</b>	
Motor Housing	Cast iron EN-GJL-250
Rotor Shaft	Stainless steel 1.4021 (AISI 420)
Volute	Cast iron EN-GJL-250
Impeller/Bottom plate	Cast iron EN-GJL-250
Fasteners	Stainless steel 1.4401 (AISI 316)
<b>Piranha</b>	
Upper Lid *	Stainless steel 1.4301 (AISI 304)
Motor Housing	Cast iron EN-GJL-250
Rotor Shaft	Stainless steel 1.4021 (AISI 420)
Volute	Cast iron EN-GJL-250
Impeller **	Cast iron EN-GJL-250
Fasteners	Stainless steel 1.4401 (AISI 316)

\* Piranha 08/09

\*\* Polyamide for Piranha 08

## Tank

Synthetic, corrosion-resistant tank in accordance with EN 12050-1. Supplied as standard with high-level coupling and bracket, ball type non-return valve, shut-off valve and pneumatic level control. Tank cover and pump(s) not included.

Capacity [L]: 945 [Synconta 901 & 902]  
1250 [Synconta 901L & 902L]

Weight [kg]\*: 85 / 96 [Synconta 901 / 902 DN 32]  
96 / 121 [Synconta 901 / 902 DN 50]  
116 / 127 [Synconta 901L / 902L DN 32]  
127 / 152 [Synconta 901L / 902L DN 50]

\* Includes installation pipework but not weight of pump

## Motor

Water pressure sealed, squirrel cage 2- and 4-pole induction motor with triple shaft seals and oil chamber. Electronic monitoring of stator temperature and overcurrent.  
Insulation: Class F to 155 °C  
Protection type: IP 68

## Pump Types

- Submersible wastewater pump type ABS AS. With Contralock or vortex hydraulics for pumping clear water, wastewater and sewage with large solid particles present. Up to 60 mm solids passage.
- Submersible grinder pump type ABS Piranha. Shredding system hydraulics which can cut and pump wastewater containing solids through small diameter discharge lines from 1¼".

**Technical Data**

<b>Pump type: Std. (no Ex)</b>	<b>Piranha 08 W/KS</b>	<b>Piranha 08 D/KS</b>	<b>Piranha 09 W/KS</b>	<b>Piranha 09 D/KS</b>			
Pump discharge internal thread	G 1¼"	G 1¼"	G 1¼"	G 1¼"			
Hydraulics	Macerator	Macerator	Macerator	Macerator			
Solids passage (mm)	n.a. <sup>1)</sup>	n.a. <sup>1)</sup>	n.a. <sup>1)</sup>	n.a. <sup>1)</sup>			
Motor power * (kW): P <sub>1</sub> P <sub>2</sub>	1.41 1.00	1.34 1.00	2.56 1.84	2.56 2.0			
Rated current (A)	6.41	2.71	11.6	4.64			
Rated voltage (V)	220-240 1~	400 3~	220-240 1~	400 3~			
Speed (r/min)	2900	2900	2900	2900			
Cable ** (H07RN-F)	3G 1.0	4G 1.0	3G 1.0	4G 1.0			
Pump weight (kg)	18	18	23	23			
<b>Pump type: Std. &amp; Ex</b>	<b>Piranha S12/2 W</b>	<b>Piranha S12/2 D</b>	<b>Piranha S17/2 W</b>	<b>Piranha S17/2 D</b>	<b>Piranha S21/2 D</b>	<b>Piranha S 26/2D</b>	
Pump discharge internal thread	G 1¼"	G 1¼"	G 1¼"	G 1¼"	G 1¼"	G 1¼"	
Hydraulics	Macerator	Macerator	Macerator	Macerator	Macerator	Macerator	
Solids passage (mm)	n.a. <sup>1)</sup>	n.a. <sup>1)</sup>	n.a. <sup>1)</sup>	n.a. <sup>1)</sup>	n.a. <sup>1)</sup>	n.a. <sup>1)</sup>	
Motor power * (kW): P <sub>1</sub> P <sub>2</sub>	1.77 1.20	1.69 1.20	2.36 1.65	2.31 1.70	2.79 2.10	3.43 2.60	
Rated current (A)	8.22	3.29	10.60	3.97	4.75	5.64	
Rated voltage (V)	220-240 1~	400 3~	220-240 1~	400 3~	400 3~	400 3~	
Speed (r/min)	2900	2900	2900	2900	2900	2900	
Cable ** (TLO7RN-F)	4G 1.5	4G 1.5	4G 1.5	4G 1.5	4G 1.5	4G 1.5	
Pump weight (kg)	32	32	32	32	37	40	
<b>Pump type: Std. &amp; Ex</b>	<b>AS 0530 S12/2 W</b>	<b>AS 0530 S12/2 D</b>	<b>AS 0530 S17/2 D</b>	<b>AS 0530 S26/2 D</b>	<b>AS 0630 S10/4 W</b>	<b>AS 0630 S13/4 D</b>	<b>AS 0630 S22/4 D</b>
Pump discharge internal thread / flange	G 2"	G 2"	G 2"	G 2" /	DN 65	DN 65	DN 65
Hydraulics	Vortex	Vortex	Vortex	Vortex	Vortex	Vortex	Vortex
Solids passage (mm)	40	40	40	40	60	60	60
Motor power * (kW): P <sub>1</sub> P <sub>2</sub>	1.77 1.20	1.69 1.20	2.31 1.70	3.43 2.60	1.69 1.00	1.93 1.30	2.88 2.20
Rated current (A)	8.22	3.29	3.97	5.64	7.49	3.60	5.15
Rated voltage (V)	220-240 1~	400 3~	400 3~	400 3~	220-240 1~	400 3~	400 3~
Speed (r/min)	2900	2900	2900	2900	1450	1450	1450
Cable ** (TLO7RN-F)	4G 1.5	4G 1.5	4G 1.5	4G 1.5	4G 1.5	4G 1.5	4G 1.5
Pump weight (kg)	34	34	34	40	37	37	42
<b>Pump type: Std. &amp; Ex</b>	<b>AS 0631 S12/2 W</b>	<b>AS 0631 S12/2 D</b>	<b>AS 0631 S17/2 W</b>	<b>AS 0631 S17/2 D</b>	<b>AS 0631 S30/2 D</b>	<b>AS 0641 S30/2 D</b>	
Pump discharge flange	DN 65	DN 65	DN 65	DN 65	DN 65	DN 65	
Hydraulics	Vortex	Vortex	Vortex	Vortex	Vortex	Contrablock	
Solids passage (mm)	40	40	40	40	40	45	
Motor power * (kW): P <sub>1</sub> P <sub>2</sub>	1.77 1.20	1.69 1.20	2.36 1.65	2.31 1.70	3.74 3.00	3.74 3.00	
Rated current (A)	8.22	3.29	10.60	3.97	6.23	6.23	
Rated voltage (V)	220-240 1~	400 3~	220-240 1~	400 3~	400 3~	400 3~	
Speed (r/min)	2900	2900	2900	2900	2900	2900	
Cable ** (TLO7RN-F)	4G 1.5	4G 1.5	4G 1.5	4G 1.5	4G 1.5	4G 1.5	
Pump weight (kg)	38	38	38	38	46	42	

<sup>1)</sup> Piranha shredding system; \* P<sub>1</sub> = Power at mains, P<sub>2</sub> = Power at motor shaft; \*\* Special rubber compound, free-end cable.  
Single phase versions require a start-and-run capacitor when operated without control panel.  
When fitting AS 0530 a 2-inch threaded nipple adaptor is required and must be supplied by the customer.

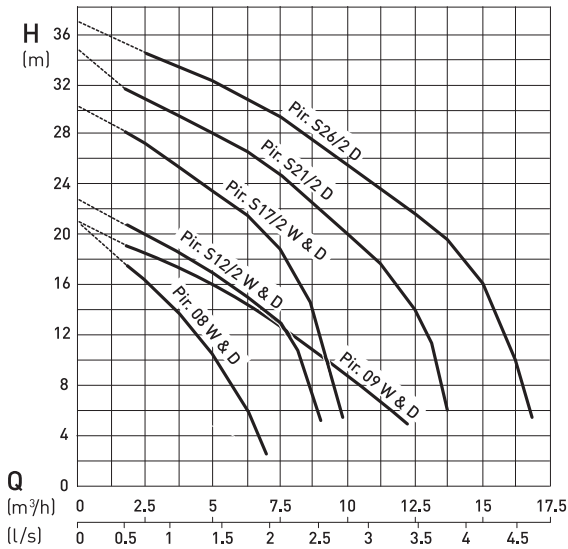
## Technical Data

Pump type: Std. & Ex	AS 0830 S10/4 W	AS 0830 S13/4 D	AS 0830 S22/4 D	AS 0840 S12/2 W	AS 0840 S12/2 D	AS 0840 S17/2 D	AS 0840 S26/2 D
Pump discharge flange	DN 80	DN 80	DN 80	DN 80	DN 80	DN 80	DN 80
Hydraulics	Vortex	Vortex	Vortex	Contrablock	Contrablock	Contrablock	Contrablock
Solids passage (mm)	60	60	60	30	30	30	30
Motor power * (kW): P <sub>1</sub>	1.69	1.93	2.88	1.77	1.69	2.31	3.43
P <sub>2</sub>	1.00	1.30	2.20	1.20	1.20	1.70	2.60
Rated current (A)	7.49	3.60	5.15	8.22	3.29	3.97	5.64
Rated voltage (V)	220-240 1~	400 3~	400 3~	220-240 1~	400 3~	400 3~	400 3~
Speed (r/min)	1450	1450	1450	2900	2900	2900	2900
Cable ** (TLO7RN-F)	4G 1.5	4G 1.5	4G 1.5	4G 1.5	4G 1.5	4G 1.5	4G 1.5
Pump weight (kg)	40	40	42	35	35	35	40

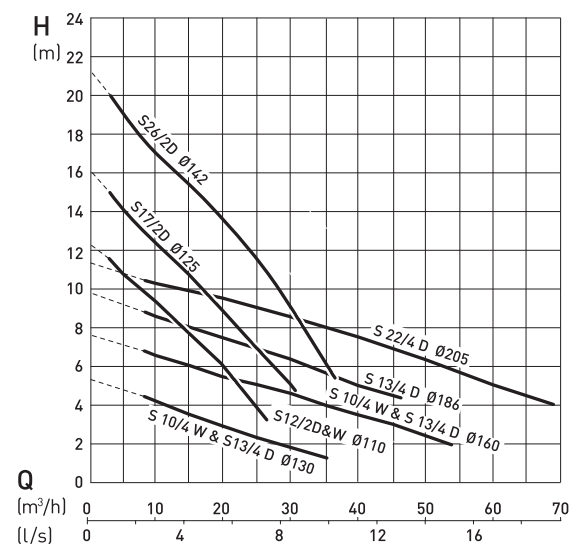
\* P<sub>1</sub> = Power at mains; P<sub>2</sub> = Power at motor shaft; \*\* Special rubber compound, free-end cable.  
Single phase versions require a start-and-run capacitor when operated without control panel.

## Performance Curves 50 Hz

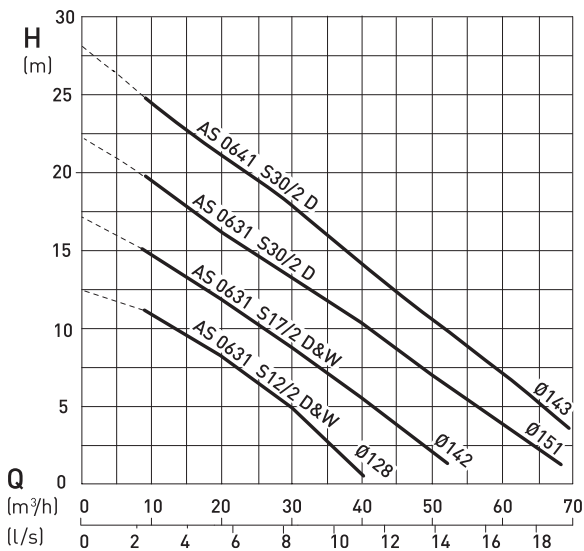
Piranha 08-S26



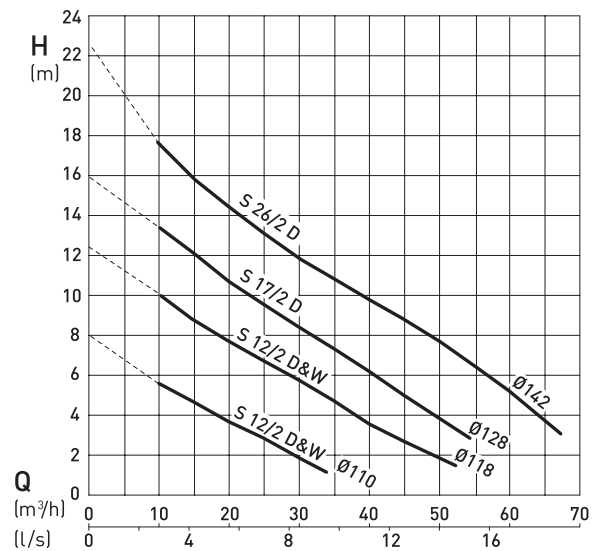
AS 0530, 0630 and 0830



AS 0631 and 0641



AS 0840



H = Total Head Q = Discharge Volume. Curves to ISO 9906 (60 Hz available on request)

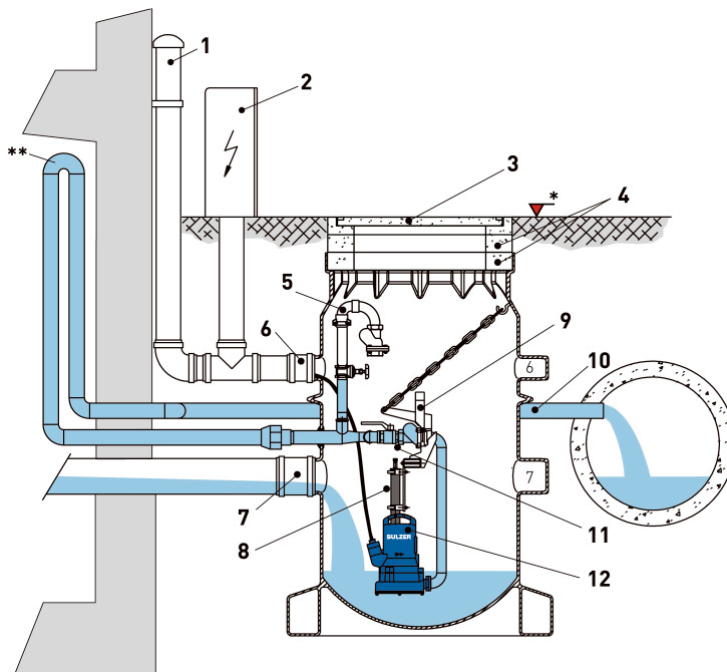
## Installation

Attention to the backwash level is of vital importance for effective dewatering. All outflow points located below the backwash level must be protected against back flow according to standard EN 12056.

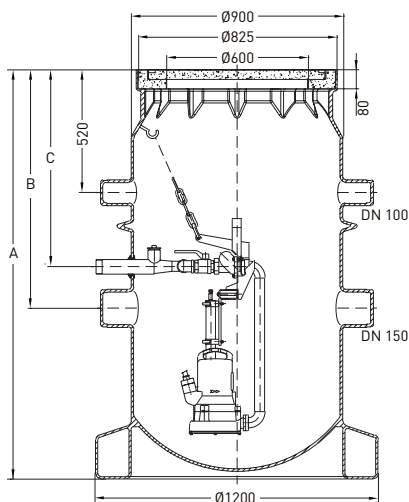
1. Ventilation pipe to be brought above roof level
2. Sulzer control panel
3. Concrete lid on cast iron frame (not suitable for vehicular traffic)
4. Height adjustment rings (concrete, 80 mm in height)
5. Flushing connection and vacuum breaker
6. DN 100 connection as cable duct / vent
7. DN 150 inlet connection
8. Pressure pipe for pneumatic level control
9. High level coupling supported on cross-beam
10. DN 50 discharge pipe
11. Shut-off and ball type non-return valves
12. Sulzer submersible pump

\* Backwash level

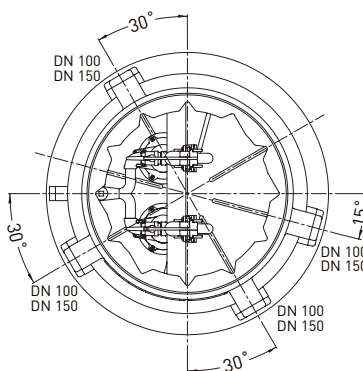
\*\* Backwash loop with base above the backwash level.



## Dimensions (mm)



	A	B	C
Synconta 901 & 902	1700	1010	830
Synconta 901L & 902L	2190	1500	1325



## Inlet Diameters

Ø	(mm)
DN 100	+0,3 ø110 -1,0
DN 150	+0,4 ø160 -1,5

## Accessories

Description	Part No.
<b>Sump Cover</b> - cast iron frame with concrete filling (Class A)	14995000
<b>Height Adjustment Ring</b> - concrete, 80 mm height	44505000
<b>Flushing Connection</b> - with discharge line connection, shut-off valve and Geka 1¼" coupling	61185001
<b>Vacuum Breaker</b> - for DN 32 tank	61180521
<b>Control Unit</b> - for internal or external erection available.	

**SULZER**